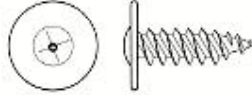




ALL★AMERICAN TOPPERS
Wafer Head® Drywall Screws

Submittal Sheet # MWG03-AA



All-American Toppers (WAFAER HEAD TOPPER®)

MODIFIED TRUSS-WAFER HEAD, PHILLIPS BUGLE HEAD, SHARP POINT, FINE THREAD K-LATH SCREW

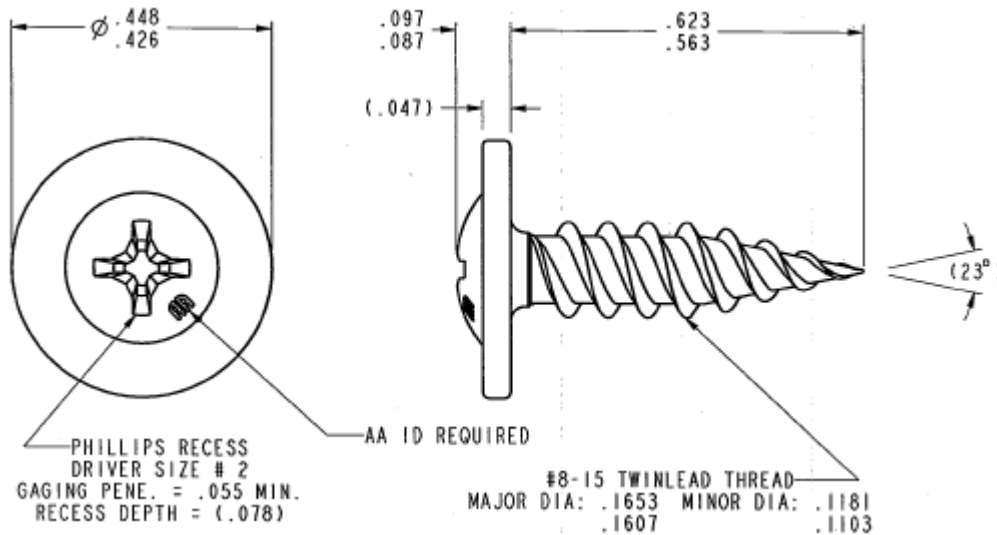
- Attaches metal lath to 20-25ga. commercial quality metal studs.
- Substitutes as framing screw.
- Lengths 9/16"

Installation Guidelines:

- A standard screwgun with a depth sensitive nose piece should be used to install Wafer Head Screw. For optimal fastener performance, the screwgun should be a minimum of 4 amps and have a RPM range of 0-2500.
- Adjust the screwgun nosepiece to properly seat the fastener.
- Worn or damaged bit tips *should be replaced*.
- The fastener is fully seated when the *head is flush* with the work surface.
- *Overdriving* may result in torsional *failure* of the fastener or *stripout* of the substrate.

Part Number	Product Description	Box Qty.	Approx. Wt. Ctn
AA-WT916	8 x 9/16" Wafer Head Sharp Point Fine Thread	10,000	39

ALL MEYER WHOLESALE GROUP FASTENERS ARE MANUFACTURED TO CONFORM TO STANDARDS SET BY ASTM C-1513 – 04, C-1002 AND/OR ASTM C-954



MEYER WHOLESALE GROUP, INC. FASTENERS ARE MANUFACTURED IN AN ISO 9002 AND ISO 14001 CERTIFIED AND APPROVED FACTORY.

Job Name _____
 Contractor _____ Date _____

Submittal Approvals: (Stamps or Signatures)