




FRAMING DRILLERS® SELF DRILLING - PHILLIPS PAN HEAD

Submittal Sheet # MWG09



FRAMING DRILLERS®
SELF DRILLING, PHILLIPS PAN HEAD FRAMER DRYWALL SCREW

- Attaches 14-20 ga. metal members
- Attach fixtures, back-up plates, electrical boxes, etc. to 14 ga. metal members
- Uses No. 2 phillips bit
- Length 7/16"

Technical Data:

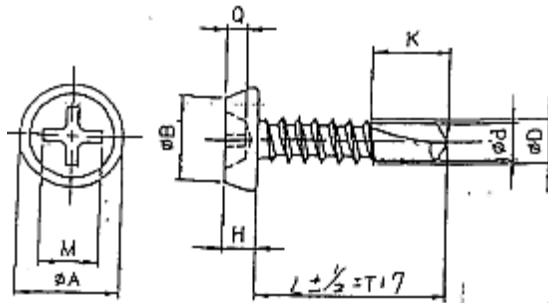
1) Material: AISI-1022	2) Thread: ANSI B 18.6.4, TYPE B, DRILLING POINT
3) Mechanical Property: <ul style="list-style-type: none"> a) Case Depth: 0.1mm (MIN) b) Surface Hardness: HV 550-800 c) Core Hardness: HV 270-450 	4) Torque : <ul style="list-style-type: none"> • # 7 35kg/cm (min) • # 8 48kg/cm (min)

Installation Guidelines:

- A standard screwgun with a depth sensitive nose piece should be used to install Pan Head Framers. For optimal fastener performance, the screwgun should be a minimum of 4 amps and have a RPM range of 0-2500.
- Adjust the screwgun nosepiece to properly seat the fastener.
- Worn or damaged bit tips *should be replaced*.
- The fastener is fully seated when the *head is flush* with the work surface.
- *Overdriving* may result in torsional *failure* of the fastener or *stripout* of the substrate.
- The fastener must penetrate beyond the metal structure a minimum of **3 pitches of thread**.

Part Number	Product Description	Box Qty.	Approx. Wt. Ctn
P-716S	7 x 7/16" Pan Head Self Drilling	15,000	37.4

ALL MEYER WHOLESALE GROUP FASTENERS ARE MANUFACTURED TO CONFORM TO STANDARDS SET BY ASTM C-1002 AND/OR ASTM C-954



UNIT : M

	A	M	B	D	d	H	Q	K
# 7 x 7/16	7.70	4.30	6.00	3.65	3.05	2.60	2.10	3.97
BK	8.20	4.90	7.00	3.85	3.15	2.90	2.79	MIN

MEYER WHOLESALE GROUP, INC. FASTENERS ARE MANUFACTURED IN AN ISO 9002 AND ISO 14001 CERTIFIED AND APPROVED FACTORY.

Job Name _____

Contractor _____ Date _____

Submittal Approvals: (Stamps or Signatures)